

SPECIFICATION

A: MATERIAL:

- 1.BODY: NYLON 66
- 2.TERMINAL: Cu PLATED Sn
- 3.PIN: Cu PLATED Ni
- 4.WIRE: UL 3266, 18AWG, BLACK
- 5.WIRE: UL 3266, 18AWG, WHITE
- 6.HOOK TYPE:H11818PS-2 & APPROVAL EQUIVALENT
- 7.HOOK TYPE:H11818PS-2 & APPROVAL EQUIVALENT
- 8.COVR: NYLON 66

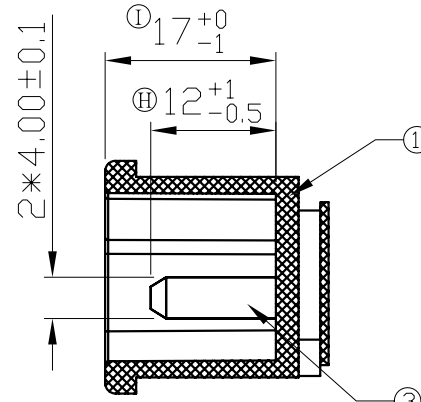
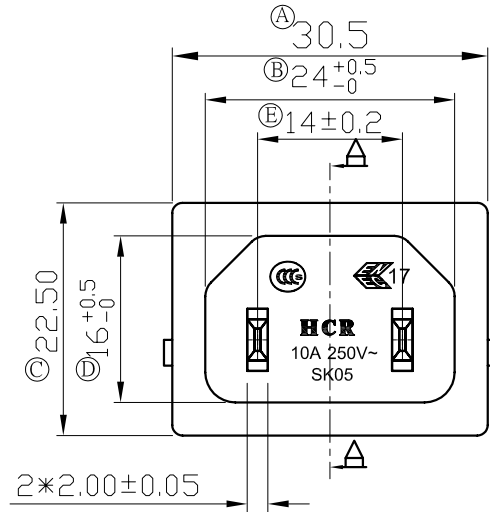
B: CHARACTERISTICS:

- 1.RATING: 15A 250V~(C-ULus)
10A 250V~(ENEC & CCC)
- 2.INSULATION RESISTANCE:100MΩ MIN,AT 500VDC
- 3.ELECTRIC STRENGTH : 3000 VAC/1MIN,LEAKAGE CURRENT UNDER 0.5mA

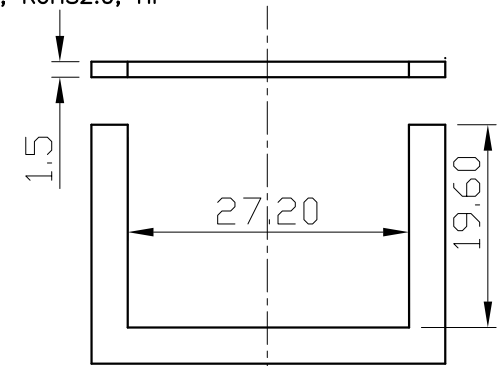
C: APPROVALS: C-ULus, ENEC & CCC

D: MATERIAL USED MUST BE COMPLY WITH HQI-0010

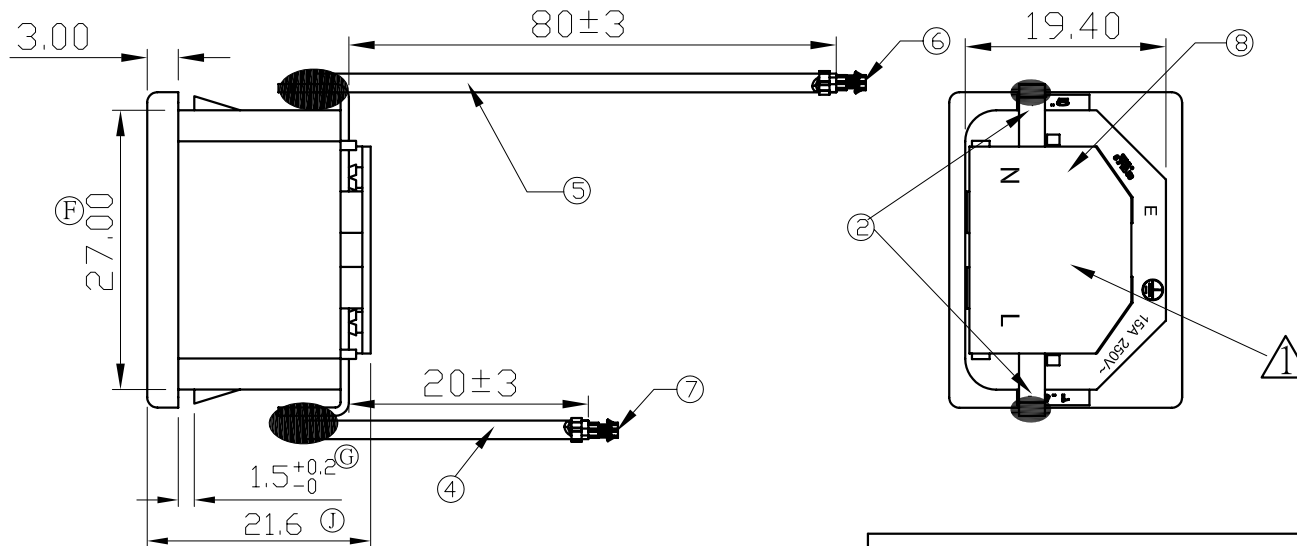
E: CAN MEET RoHS, RoHS2.0, HF



SECTION A-A



PANEL CUT-OUT



TOLERANCES UNLESS OTHERWISE 未指定容許差尺寸之公差	
BASIC DIMENSIONS TOLERANCES	
UP TO 10 (10以下)	±0.15
ABOVE 10 TO 30(10~30)	±0.3
ABOVE 30 TO 100(30~100)	±0.5
ANGULAR DIMENSIONS(角度)	±5°
DIMENSION UNIT	mm

東莞市華之力電子有限公司 DONGGUAN HCR ELECTRONICS CO., LTD.

2					核准 APPROVED BY	AaronJin	日期 DATE	20121213	投影法 PROJECT		機型 PART NAME	INLET SOCKET
1	2012/12/13	後蓋板設計變更	A1	WeiChen	校對 CHECKED BY	RZTang	日期 DATE	20121213	比例 SCALE	1:1	型號 PART NO	SK05
0	2012/11/15	1. 新制订	A0	WeiChen	繪圖 DRAWN BY	WeiChen	日期 DATE	20121213	路徑 DWG NO	E:\成品圖 SK05\850005	料號 ITEM NO	SK05-02010221CH-5001
NO	DATE	REVISION DESCRIPTION	REVISION	DRAWN	APPROVED							